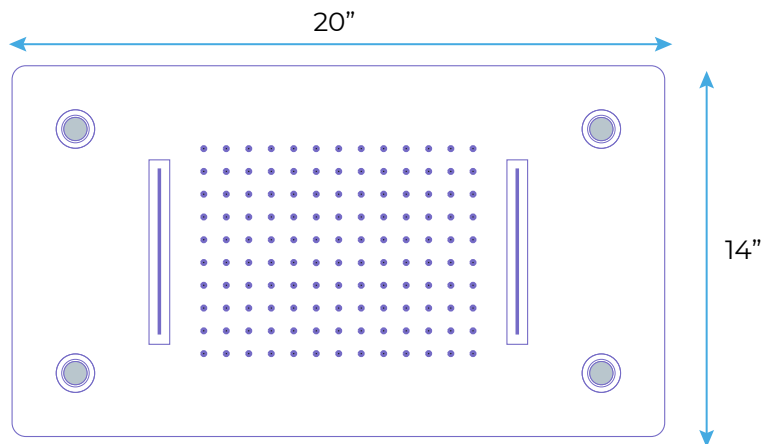


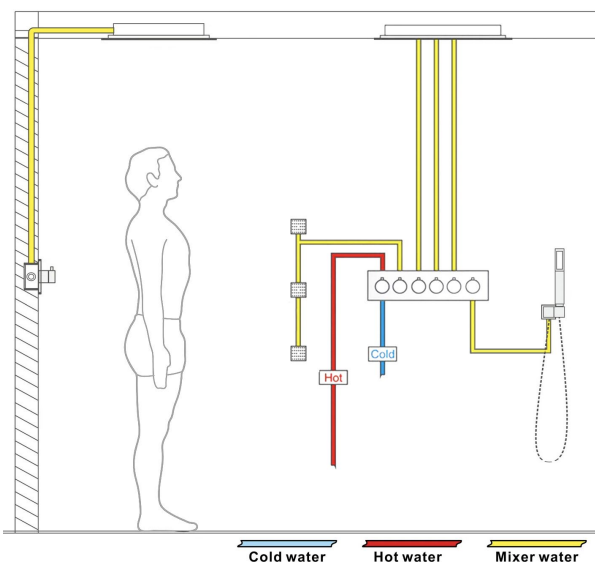
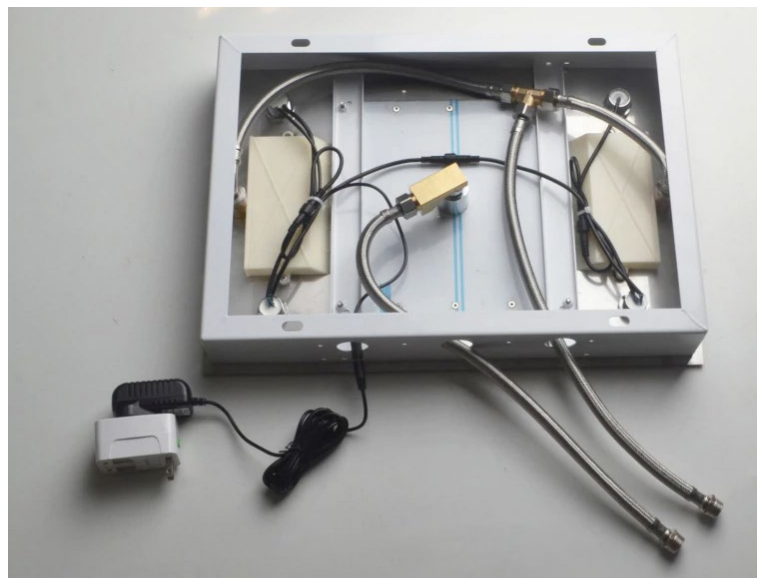
# MATTE BLACK LED 20\*14IN RECESSED CEILING MOUNT RAINFALL WATERFALL SHOWER SYSTEM WITH HANDHELD SHOWER AND 6 BODY JETS SPECIFICATIONS



Shower Head

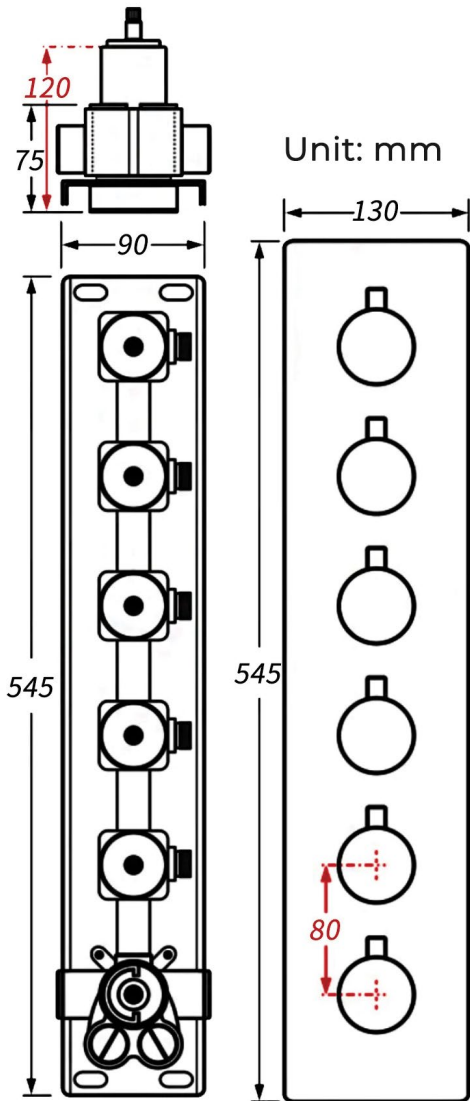


- Shower Head Functions: Rainfall, Bubble, Mist
- Shower Panel /Hose Material: 304 Stainless Steel
- Showerheads Install: Embedded Ceiling Mounted
- Concealed Mixer Install: Wall-Mounted
- Shower Accessories Material: Brass
- LED Light: Need to Connect Power
- Shower Hose Length: 1.5M
- Power: 100V~240V Alternating Current (AC)
- LED Colors: 7 Colors
- Water Flow: 16L/min~28L/min
- Music: Need Bluetooth



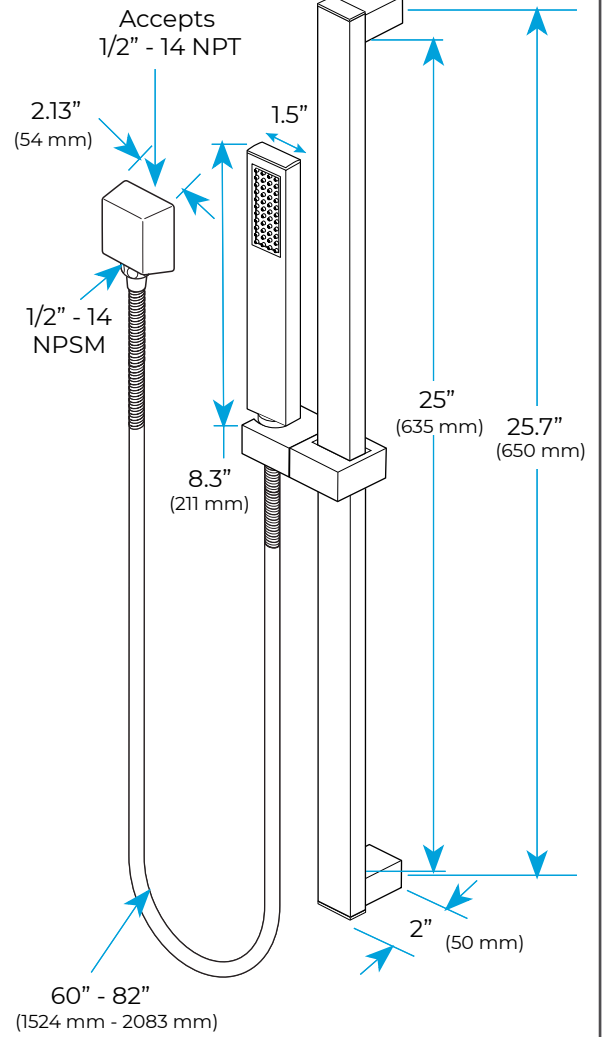
All dimensions and specifications are nominal and may vary. Use actual products for accuracy in critical situations.

### Shower Mixer



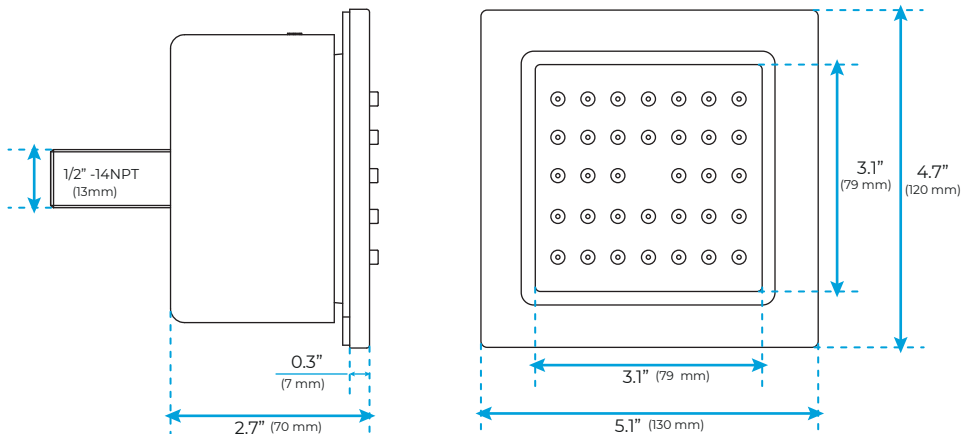
Thread: G1/2

### Hand Shower



Flow Rate: 2.0 GPM / 7.6 LPM

### Body Jet



#### FEATURES

- Material: Brass
- Base Plate Height: 5-1/8"
- Base Plate Width: 5-1/8"
- Jet Surface Area: 3-1/8"
- Surface Depth: 1/4"
- Adjustment Angle: 5°
- Male NPT Connection: 1/2"
- Maximum Flow Rate: 2.5 GPM (9.5L/min) max @ 80 psi